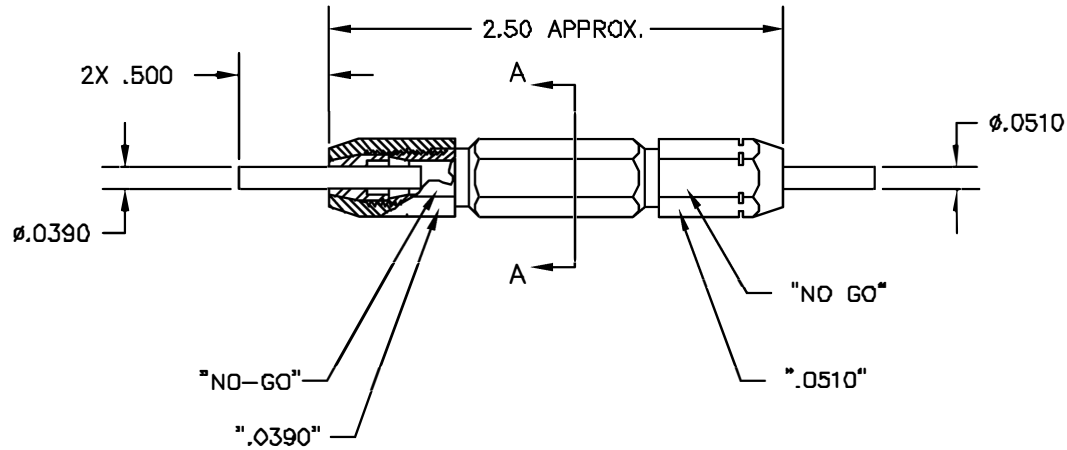
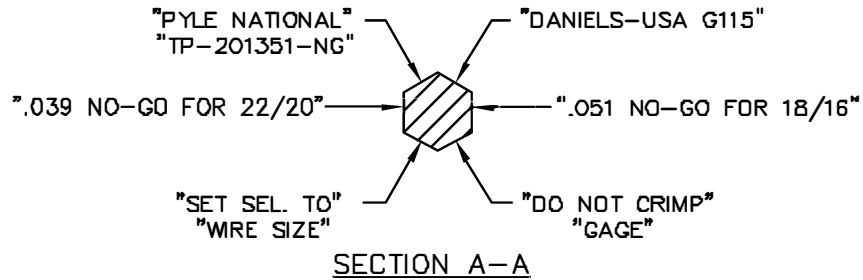


REVISIONS				
REV. BY	E.C.D. NUMBER	DESCRIPTION	BY DATE	APP'D DATE
1		ORIGINAL RELEASE	D.A.S. 1-14-88	DE 1-88



**UNCONTROLLED DOCUMENT  
WILL NOT BE UPDATED**

1. FOR PYLE-NATIONAL TOOLS TP-201351 (M1100A)  
AND TP-201352 (PN-30).

NOTES:

<b>RESTRICTED &amp; CONFIDENTIAL</b>  CONFIDENTIAL PROPERTY OF DANIELS MANUFACTURING CORP. NOT TO BE DISCLOSED TO OTHERS, REPRODUCED OR USED FOR ANY OTHER PURPOSE, EXCEPT AS AUTHORIZED IN WRITING BY DANIELS MANUFACTURING. MUST BE RETURNED TO DANIELS MANUFACTURING CORP. ON COMPLETION OF ORDER OR OTHER PURPOSE FOR WHICH LOANED.	MATERIAL	ITEM	PART NO.	QTY.	DESCRIPTION/REMARKS		
	HEAT TREAT	DRN.	D. DEPAIVA	DATE	1/14/88		
		CHKD.	DE	DATE	1/88		
	FINISH	APP'D.		DATE		<b>DMC</b> DANIELS MANUFACTURING CORP. ORLANDO, FLORIDA CASE 11831  TITLE NO-GO/NO-GO GAGE ENVELOPE DRAWING	
APP'D.			DATE				
DO NOT SCALE DRAWING		WHERE USED		SIZE	SCALE	CAS. P/N	SHEET OF
				B	NTS	G115-ENV	1 1
				POSTING	P/N	G115-ENV	REV. 1